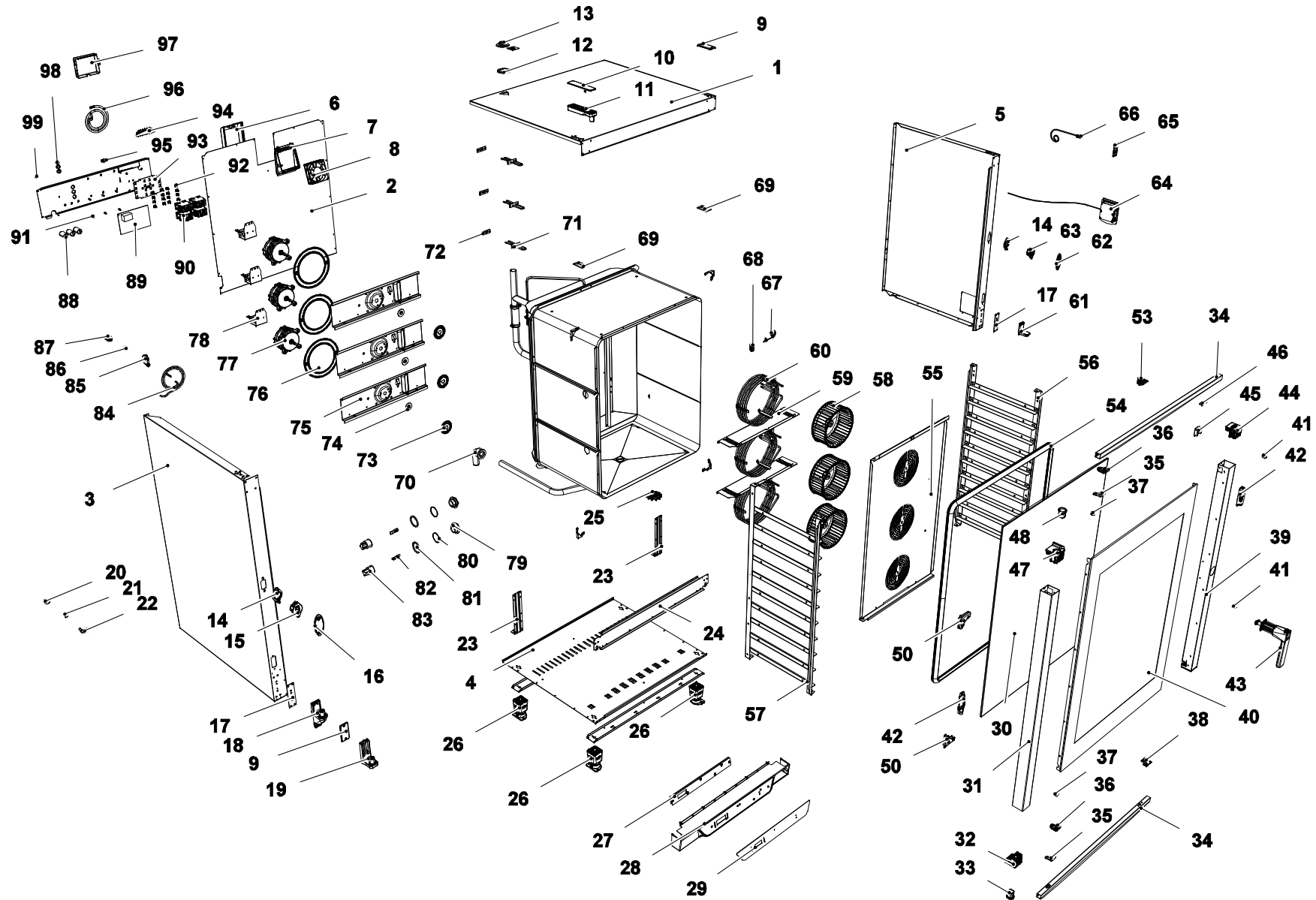


MOD: XB895

EXPLODED VIEW DISEGNO ESPLOSO





DESCRIZIONE CODICI

1	0D2125A0	COPERCHIO BAKERLUX CHEFLUX
2	0F1425A0	SCHIENA ZINCATA BL CL 89-
3	0D2126A0	FIANCO SX BL CL 89-
4	0E1303A0	FONDO ZINCATO BAKERLUX CHEFLUX
5	0D2144A0	FIANCO DX DYNAMIC XB895 XV895
6	VM1556A0	PROTEZIONE VENTOLA RAFFREDDAMENTO CT-BT
7	VM1555A1	SUPPORTO VENTOLA RAFFREDDAMENTO CT BT
8	VN1120B1	VENTOLA RAFFREDDAMENTO 12V CABLATTA
9	VM1195A0	PIASTRINA COPRIFORI XVC204/304/504/704
10	VM1166A0	COPERCHIO STAFFA SUPERIORE PORTA
11	VM1165B0	STAFFA SUPERIORE PORTA CT BT
12	0H3790A0	LAMIERA TENUTA CAMINO
13	GN1275A0	GUARNIZIONE CAMINO SILICONE NERO XVC
14	VM1192A1	COPERCHIO SCROCCO MANIGLIA CT BT
15	VM1191A2	SCROCCO MANIGLIA SX CT BT
16	VM1461A0	COPERCHIO SX SCROCCO PORTA XBC/XVC
17	0H6333A0	CONTROSTAFFA PORTA FILETTATA BL CL
18	VM1975A0	STAFFA INFERIORE SOSTEGNO PORTA
19	VM1160B0	STAFFA INFERIORE PORTA CT BT
20	EL1185A0	RACCORDO A GOMITO J.GUEST Ø8 - Ø8
21	EL1345A0	CLIP BLOCCA PINZETTA RACCORDI Ø8
22	EL1195A0	RACCORDO A GOMITO CON J.GUEST
23	0H6334A0	STAFFA SOSTEGNO MUFFOLA BL CL
24	0H6240A0	LAMIERA CRUSCOTTO BAKERLUX CHEFLUX
25	0H2551A0	TAPPO PER TUBO DI SCARICO LIQUIDI INOX C
26	PD1060A0	PARTE FISSA PIEDE CT BT
27	PE1985A0	ASM SCHEDE CONTROLLO BAKERLUX
28	VM1973A0	CRUSCOTTO BAKERLUX DYNAMIC
29	MS1010A0	MASCHERINA SERIGRAFATA BAKERLUX/CHEFLUX
30	VT1140A0	VETRO INTERNO 743X940X6 BETFL
31	TB2193A0	COLONNINA SX BL CL 89 50x50x1.2
32	VM1978A0	TAPPO FULCRO INFERIORE PORTA CL BL
33	VM1510A0	BOCCOLA SCANALATA PERNO PORTA XBC/XVC
34	TB2218A0	LISTELLO INF. BL CL L= 854 20x20x1
35	0H2650A0	CERNIERA INOX VETRO INTERNO XBC/XVC
36	VM1680A0	CERNIERA APERTURA VETRO INTERNO
37	TF1010A0	BOCCOLA TEFLON CERNIERA VETRO
38	VM1896A0	SUPPORTO VETRO INFERIORE
39	TB2192A0	COLONNINA DX BL CL 89 50x50x1.2
40	VT1254A0	VETRO ESTERNO XB89- XC89-
41	VE1030A1	CALAMITA D=22,9mm PER MICROPORTA
42	VM1590A0	STAFFA SPINGIVETRO INTERNO XVC705 XBC805
43	VM1180A0	IMPUGNATURA MANIGLIA XVC204/304/504/704
44	VM1976A0	TAPPO ESTETICO COLONNINA PORTA CL BL
45	VM1898A0	CHIUSURA SUPPORTO VETRO SUPERIORE
46	VM1006A0	COPERCHIO CHIUSURA SUPPORTO VETRO SUP
47	VM1977A0	TAPPO FULCRO SUPERIORE PORTA CL BL
48	VM1511A0	BOCCOLA LISCIA PERNO PORTA CHEFFTOP
50	VM1230A0	CERNIERA SUP. ALLUMINIO VETRO

53	VM1897A0	FERMO SUPPORTO VETRO SUPERIORE
54	GN1343B0	GN1000B-GUARNIZIONE PORTA XBC804-805
55	0G1475A0	CARTER ARIA XB89- XV89-
56	GRL1287A0	SUPPORTO LAT. DX BL 10 600X400
57	GRL1286A0	SUPPORTO LAT. SX BL 10 600X400
58	VN1030A4	VENTOLA D196 H81 39 PALE DADO M8
59	0G1476A0	DISTANZIALE CARTER BL CL
60	RS1150A0	RESISTENZA CIRC. D=230 5 SPIRE
61	VM1974A0	PIASTRINA CHIUSURA CRUSCOTTO
62	VM1460A0	COPERCHIO DX SCROCCO PORTA XBC/XVC
63	VM1190A2	SCROCCO MANIGLIA DX CT BT
64	PE1971A0	ASSIEME RIARMO RJ45
65	VM1201A1	PIASTRINA SUPPORTO MICROPORTA MAGNETICO
66	VE1020A2	MICROINTERRUTTORE PORTA MAGNETICO
67	TR1105A2	SONDA TEMPERATURA PT100 L1000
68	VM1465A0	COPERCHIO Sonda TEMPERATURA CHEFTOP
69	0H2560A0	CONTROSTAFFA ZINCATA PORTA C.T.
70	VM1260A0	CURVA A 90° RACCORDO SCARICO
71	RS1261A0	RESISTENZA MOTORE BAKERLUX/CHEFLUX
72	GN1326A0	GUARNIZIONE RES. 70X22X0.8
73	0H4305A1	DISCO TENUTA ALBERO MOTORE INOX STP
74	GN1140A1	GUARNIZIONE PORTAMOTORE STAMP.
75	0H3561A2	PROFILO PORTAMOTORI ZINC. CT-BT
76	0H3586A0	LAMIERA PROTEZIONE MOTORE ZINCATO
77	VN1130A0	MOTORE FORNO 330W 230V 50/60HZ
78	0H4851A0	STAFFA SUPPORTO CABLAGGI STD
79	VT1195A0	VETRO COPRILAMPADA BOROSILICATO TEMPRATO
80	GN1055A0	OR 46x2 VMQ 70 ROSSO
81	GN1065A1	GUARNIZIONE PORTALAMPADA DE=53.2
82	VE1005A3	LAMPADA HALOPIN 25W
83	VE1015A1	PORTA LAMPADA SERIE 2 PER LAMPADA
84	TB1980A0	TB1815A-ALLACCIAMENTO FORNI ALLA RETE
85	EL1375A0	FILTRO ACQUA Ø8 MESH100
86	GN1200A0	GUARNIZIONE D=24 RACCORDO 3/4 GOMMA
87	RC1210A1	RACCORDO 3/4 VALVOLA DI NON RITORNO
88	VE1110A0	CONDENSATORE 6,3 µF 450VAC 50/60Hz
89	PE1810B0	SCHEDA DI POTENZA BAKERLUX
90	VE1095A0	TELERUTTORE GE 25A 230V 50/60
91	VM1745A0	SUPPORTO PER SCHEDA
92	VM1075A1	CLIP DI FISSAGGIO PER TELERUTTORI
93	0H6361A0	LAMIERA FISSAGGIO TELERUTTORI
94	MR1004A0	MORSETT. 7FTW GV V0 VL CU 1+2+3/4+5+6
95	VE1075A0	PRESSACAPO FV 268 RO+VITI FISSAGGIO
96	CE1460A1	CAVO 5X4MMQ H07RN-F L=1,8MT
97	VM1310A0	SCATOLA COPRI MORSETTIERA XB/XV/XVC/XG
98	VM1505A0	PASSAPARETE CON DIAFRAMMA
99	VM1750A0	MORSETTIERA A PETTINE

MOD: XB895

Pagina 3

**EXPLODED VIEW
DISEGNO ESPLOSO**





DESCRIPTION

1	OD2125A0	BAKERLUX CHEFLUX COVER
2	OF1425A0	ZINC PLATED BACK PANEL BL CL 89-
3	OD2126A0	LEFT SIDE PANEL BL CL 89-
4	OE1303A0	BAKERLUX CHEFLUX ZINCED BOTTOM PANEL
5	OD2144A0	RIGHT SIDE PANEL DYNAMIC XB895 XV895
6	VM1556A0	XBC-XVC COOLING FAN GUARD
7	VM1555A1	CT BT COOLING DOWN FAN SUPPORT
8	VNI120B1	12V COOLING DOWN FAN
9	VM1195A0	HOLES BLANKING PLATE XVC204/304/504/704
10	VM1166A0	CAP FOR DOOR UPPER STIRRUP XVC204/304/5
11	VM1165B0	CT BT DOOR UPPER BRACKET
12	OH3790A0	CHIMNEY HOLDING PLATE
13	GN1275A0	BLACK SILICON XBC/XVC CHIMNEY SEALING
14	VM1192A1	CT BT RIGHT DOOR SPRING LATCH COVER
15	VM1191A2	CT BT LEFT DOOR SPRING LATCH
16	VM11461A0	XBC/XVC LEFT DOOR LATCH CAP
17	OH6333A0	BL CL THREADED DOOR COUNTER BRACKET
18	VM11975A0	DOOR SUPPORT LOWER BRACKET
19	VM1160B0	CT BT DOOR LOWER BRACKET
20	EL1185A0	ELBOW CONNECTION J. GUEST Ø8 - Ø8
21	EL1345A0	CLIP TO FIX Ø08 mm CONNECTION JOINT
22	EL1195A0	ELBOW UNION WITH J.GUEST TERMINAL
23	OH6334A0	BL CL COOKING CHAMBER HOLDING BRACKET
24	OH6240A0	BAKERLUX CHEFLUX ST. STEEL CONTROL PANEL
25	OH2551A0	XBC/XVC ST. STEEL DRAIN COVER
26	PD1060A0	CT BT FOOT FIX COMPONENT
27	PE1985A0	BAKERLUX CONTROL BOARD + COVER
28	VM1973A0	BAKERLUX DYNAMIC BOARD
29	MS1010A0	BAKERLUX/CHEFLUX STICKER WITH SERIGRAPHY
30	VT1140A0	INTERNAL GLASS 743x940x6 BETFL XBC804
31	TB2193A0	BL CL 89- LEFT DOOR COLUMN 50x50x1.2
32	VM1978A0	CL BL DOOR LOWER FULCRUM-CAP
33	VM1510A0	XBC/XVC GROOVED DOOR PIN BUSHING
34	TB2218A0	BL CL LOWER LISTEL L= 854 20x20x1
35	OH2650A0	XBC/XVC ST. STEEL INTERNAL GLASS HINGE
36	VM1680A0	INTERNAL GLASS HINGE
37	TF1010A0	TEFLON BUSHING FOR INTERNAL GLASS
38	VM1896A0	LOWER GLASS SUPPORT
39	TB2192A0	BL CL 89- RIGHT DOOR COLUMN 50x50x1.2
40	VT1254A0	OUTER GLASS XB89- XC89-
41	VE1030A1	MAGNET FOR DOOR MICROSWITCH D=22,9mm
42	VM1590A0	XVC705 XBC805 GLASS PUSHING BRACKET
43	VM1180A0	HANDLE HAFT XVC204/304/504/704
44	VM1976A0	CL BL DOOR COLUMN BLANKING CAP
45	VM1898A0	LOCK FOR UPPER GLASS SUPPORT
46	VM1006A0	CAP FOR GLASS UPPER SUPPORT
47	VM1977A0	CL BL DOOR UPPER FULCRUM-CAP
48	VM1511A0	XBC/XVC SLEEK DOOR PIN BUSHING
50	VM1230A0	UPPER ALUMINIUM HINGE FOR INTERNAL

53	VM1897A0	UPPER GLASS SUPPORT BACKSTOP
54	GN1343B0	GN1000B-GUARNIZIONE PORTA XBC804-805
55	OG1475A0	STAINLESS STEEL COVER SERIE XB
56	GRL1287A0	10 600X400 RIGHT SUPPORT BL
57	GRL1286A0	10 600X400 LEFT SUPPORT BL
58	VNI1030A4	MOTOR FAN D196 H81 39 BLADE NUT M8
59	OG1476A0	BL CL FAN GUARD SPACER
60	RS1150A0	CIRC.HEAT. ELEMENT D=230 5 TURNS
61	VM1974A0	BOARD CLOSING PLATE
62	VM1460A0	XBC/XVC RIGHT DOOR LATCH CAP
63	VM1190A2	CT BT RIGHT DOOR SPRING LATCH
64	PE1971A0	RJ45 CONNECTION + RESET POINT
65	VM1201A1	MAGNETIC SUPPORT PLATE FOR DOOR MICROSW.
66	VE1020A2	MAGNETIC DOOR MICROSWITCH
67	TR1105A2	TEMPERATURE PROBE PT100 L1000
68	VM1465A0	CHEFTOP TEMPERATURE PROBE COVER
69	OH2560A0	XBC/XVC ZINC PLAT. DOOR COUNTERBRACKET
70	VM1260A0	90°C CURVED DRAIN PIPE
71	RS1261A0	BAKERLUX/CHEFLUX HEATING ELEMENT
72	GN1326A0	ELEMENT SEALING 70X22X0.8
73	OH4305A1	ST. STEEL MOTOR SHAFT SEALING DISC
74	GN1140A1	MOLDED MOTOR SUPPORT GASKET
75	OH3561A2	ZINC PLATED MOTOR SUPPORT PROFILE CT-BT
76	OH3586A0	ZINCATE MOTOR GUARD PLATE XBC-XVC
77	VNI130A0	330W 230V 50/60HZ MOTOR
78	OH4851A0	BRACKET SUPPORT WIRING HARNESS STD
79	VT1195A0	BOROSILICATE LIGHT BULB GLASS COVER
80	GN1055A0	OR 46x2 VMQ 70 RED
81	GN1065A1	SEAL FOR LAMP GLASS COVER (PURE
82	VE1005A3	HALOGEN LAMP 33W ENERGY SAVER
83	VE1015A1	LAMP HOLDER SERIE 2 FOR HALOGEN LAMP
84	TB1980A0	TB1815A-ALLACCIAMENTO FORNI ALLA RETE
85	EL1375A0	Ø8 MESH-100 WATER FILTER
86	GN1200A0	3/4 CONNECTION SEAL D=24 RUBBER+NET
87	RC1210A1	3/4 FEM. UNION +FILTER + NONRETURN VALVE
88	VE1110A0	CONDENSER 6,3 µF 450VAC 50/60Hz
89	PE1810B0	BAKERLUX POWER CARD
90	VE1095A0	REMOTE CONTROL SWITCH GE 25A 230V
91	VM1745A0	BOARD SUPPORT
92	VM1075A1	PLASTIC CLIP TO FIX CONTACTORS
93	OH6361A0	REMOTE CONTROL SWITCH FIXING PANEL
94	MR1004A0	TERMINAL 7FTW GV V0 VL CU 1+2+3/4+5+6
95	VE1075A0	CABLE PRESS FV 268 RO
96	CE1460A1	CABLE 5X4MMQ H07RN-F L=1,8MT
97	VM1310A0	COVER FOR TERMINAL BOX XB/XV/XVC/XG
98	VM1505A0	WALL PASSING WITH DIAPHRAGM
99	VM1750A0	TERMINAL BOARD

MOD: XB895

Pagina 5

**EXPLODED VIEW
DISEGNO ESPLOSO**

